

# vizia rf +®

## Receptacle

Join a revolution in the home automation industry with Vizia RF + wireless lighting and home control technology. Innovative and affordable, with features that are desired by professional installers and appreciated by homeowners, Vizia RF + helps reduce energy consumption. It provides dramatic scene transitions, extended zone lighting controls, industry standard 2-way status updating and integration of household electrical devices. Use it to enhance new construction or to add value to older homes, condominiums and apartments.

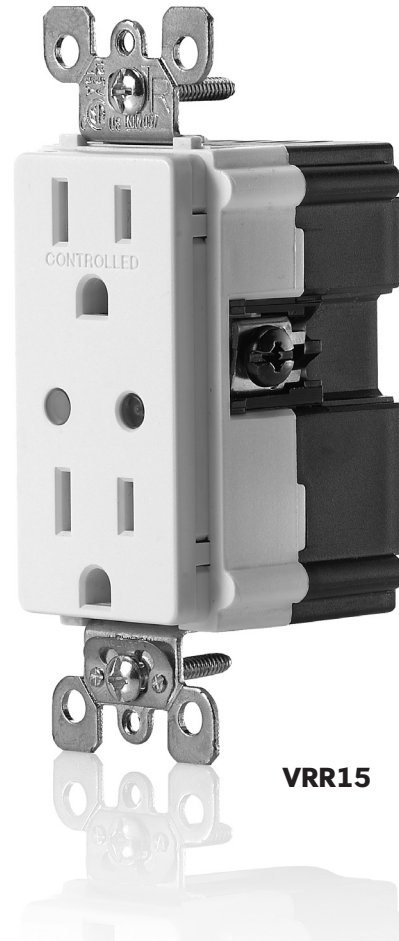
The Vizia RF + Wireless Home Control System offers scalable, easy-to-install, remote control of appliances and lighting, as well as one-button scene and zone (area) lighting control to create the perfect ambiance. And, unlike previous home control systems, Vizia RF + does all of this without experiencing interference or inconsistent performance.

### APPLICATIONS

The Vizia RF + Scene Capable Receptacle fits into a standard wallbox and replaces a regular receptacle (where a neutral is present) to provide local and remote ON/OFF switching of table lamps, floor lamps, holiday lighting and fans. It responds to commands sent from Leviton Vizia RF + Controllers or other Z-Wave compatible controllers or programmers. Controlled devices can react through scene commands individually or as part of a scene or zone grouping of lights to provide an elegant and convenient “one-touch” lighting experience.

### FEATURES AND BENEFITS

- Wireless RF technology creates a mesh network for command and control interoperability
- Controlled side can be used for wireless ON/OFF control of plugged-in electrical loads up to 15 amps, such as lamps, appliances and electronics
- Non-controlled side is a tamper-resistant receptacle that provides constant power
- TR symbol on receptacle strap assures that it meets the 2008 NEC® code requirement
- Shutter mechanism inside the TR receptacle blocks access to the contacts unless a two-prong plug is inserted, helping ensure hairpins, keys, etc., will be locked out
- 2-way status updates
- Green locator LED illuminates when load is ON
- High-gloss finish complements a wide variety of décors
- Superior versatility provides three products options in one box: 3 changeable faceplates and single pole switch capability
- Load sensing option allows a lamp or other device plugged into the controlled side to be turned ON manually using the lamp's integrated ON/OFF button



VRR15

- LED display option allows the green LED to be turned OFF
- Responds to Vizia RF + Controllers as well as Z-Wave certified controllers from other manufacturers
- ON/OFF scene and zone control compatibility
- Local and remote ON/OFF control of connected loads
- Pro-Level integration with selected products and brands
- Color change kits are available to allow fast color changeover and simplify stocking inventory
- Transient surge protection to IEC Level 4
- ESD protection to IEC 1000 4-2 Level 4 to protect against damage and memory loss due to static discharges
- RFI filtering for radio, audio and video equipment

### SPECIFICATIONS

#### Operating Temperatures

- Operating Temperature: 0°C to 40°C
- Relative humidity: 20% to 90% (non-condensing)

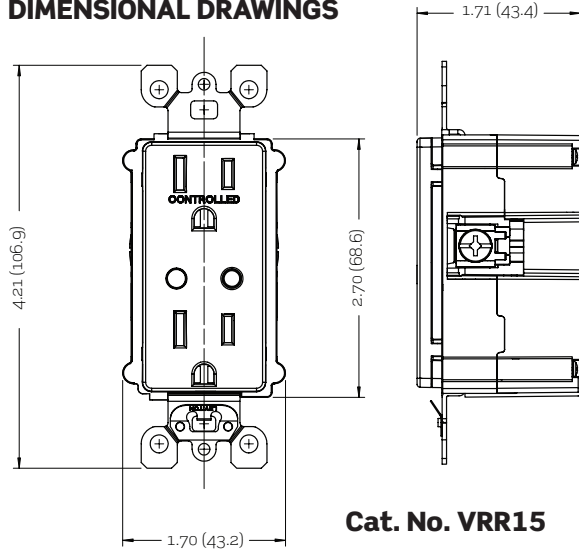
#### Terminations

- VRR15 has 3 screw terminals for line, neutral and ground

### Leviton Mfg. Co., Inc.

201 North Service Road, Melville, NY 11747 Tech Line: 1-800-824-3005 Fax: 1-800-832-9538 www.leviton.com  
 © 2009 Leviton Manufacturing Co., Inc. All rights reserved. Subject to change without notice.

**DIMENSIONAL DRAWINGS**



**Cat. No. VRR15**

**AGENCY STANDARDS AND COMPLIANCE**

- Complies with FCC Part 15, Class B
- NOM Certified (#057)
- CSA Certified (File #152105)
- Z-Wave Certified

**Switch**

- UL Listed (File #E-66800)

**TR Receptacle**

- UL Listed (File #E-13399)

**ORDERING INFORMATION**

DESCRIPTION	CAT. NO.	RATING	COLOR
Vizia RF + Split Duplex TR Receptacle with LED Locator	VRR15-1L	Controlled Side: 1800W, 1800VA, 1/2HP Receptacle: 125V	Z

Suffix (-Z) includes White, Ivory and Light Almond.

**COLOR CHANGE KITS**

COLOR	CAT. NO.
White	VRKIT-ROW
Ivory	VRKIT-ROI
Almond	VRKIT-ROA
Light Almond	VRKIT-ROT
Gray	VRKIT-ROG
Black	VRKIT-ROE
Red	VRKIT-ROR
Brown	VRKIT-ROB

**Leviton Manufacturing Co., Inc.**

201 North Service Road, Melville, NY 11747-3138  
 Telephone: 1-800-323-8920 • Fax: 1-800-832-9538 • Tech Line: (8:30AM-7:00PM E.T. Monday-Friday): 1-800-824-3005

**Leviton Manufacturing of Canada, Ltd.**

165 Hymus Boulevard, Pointe Claire, Quebec H9R 1E9 • Telephone: 1-800-469-7890 • Fax: 1-800-563-1853

**Leviton S. de R.L. de C.V.**

Lago Tana 43, Mexico DF, Mexico CP 11290 • Tel. (+52) 55-5082-1040 • Fax. (+52) 5386-1797 • www.leviton.com.mx

The Vizia +® products are covered by one or more of the following patents: US D531,137; US D563,326; US D563; US 6,388,399; CA 116,616; other U.S. and foreign patents pending.

Vizia RF + is a registered trademark of Leviton Manufacturing Co., Inc. Z-Wave is a registered trademark of Zensys Corporation.

Visit our website at [www.leviton.com](http://www.leviton.com)

© 2009 Leviton Manufacturing Co., Inc. All rights reserved. Subject to change without notice.

**INSTALLATION CONSIDERATIONS**

Vizia RF + is designed for residential applications of up to 7,500 sq. ft. and not exceeding 128 devices per system. To ensure that there is adequate room for wires, Leviton recommends using at a minimum 3 ½ inch deep wallboxes. For single gang applications, this would be at a minimum an 18-cubic inch wallbox.

**WARRANTY INFORMATION**

- Five-Year Limited Warranty

**PROGRAMMING**

- See instruction manual included with product for programming information
- Vizia RF + system guide is a resource available for download at [viziarpplus.com/documents](http://viziarpplus.com/documents)

**WIRING DIAGRAM**

