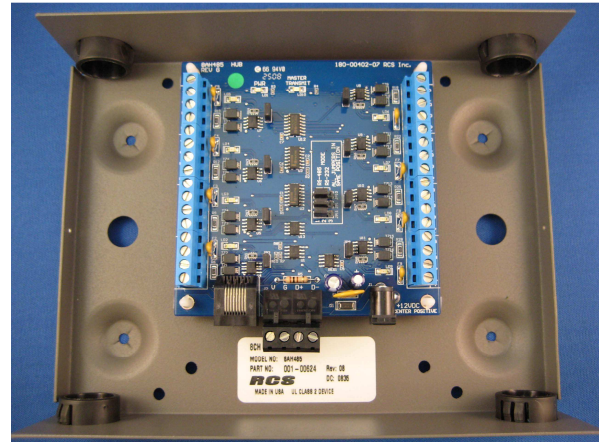


8 Channel RS-485 Active Hub

- *CommStar* Network Device
- True STAR Wiring Hub
- 8 Channel RS485 Half Duplex Output
- RS485 or RS232 Master Input
- Network Termination Issues Resolved
- 4000 Ft Line Length On Each Channel
- 12VDC Network Power Distribution
- 4 Wire Terminal Strip: 2 Power, 2 Data
- Hubs can be daisy chained for 64 channels



CommStar Network Star Wiring Hub

RCS *CommStar* Control Units can connect to this external 8 channel active RS485 hub to provide a STAR wiring connection to the CommStar. Also can be used with the CS308's internal 8 channel hubs for further expansion.

RS485 Active Hub

The unit has 8 independent RS485 output channels each with their own driver. All outputs see input data simultaneously. Each input channel is equipped with automatic send data control to allow for half duplex transmission.

Expansion: Up to 64 channels.

Dual Inputs: RS232 or RS485 Half Duplex Input

Model 8AH232D has selectable input for either RS232 or RS485 input. Compatible with CommStar RS485, 9600 baud networks.

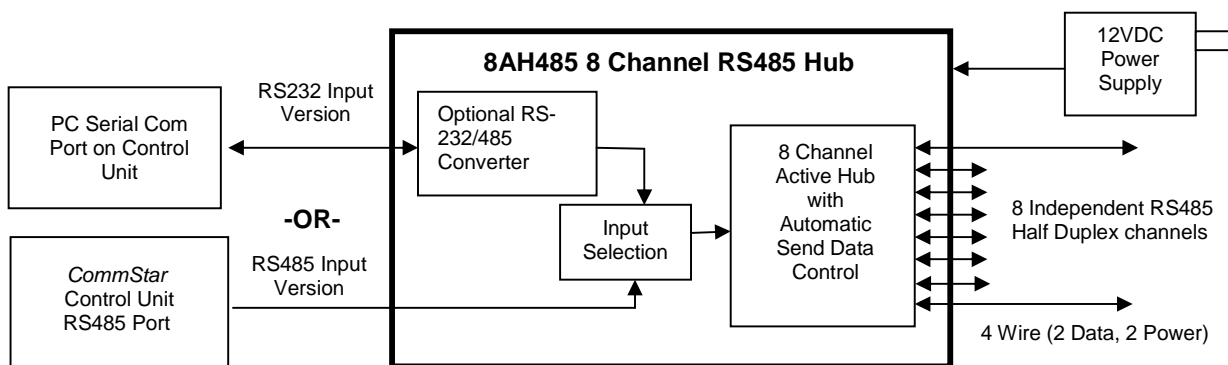
STAR Wiring

Each channel is independent and allows for home run, or star wiring, to each channel without using the typical RS485 daisy chain wiring. This eliminates concerns about terminations. Since each line has its own driver, each line can be up to 4000 ft.

NOTE: You can use daisy chain wiring within EACH channel of the HUB to connect up to 255 devices, **IF** you observe the RS485 network connection and termination requirements. The last device in the daisy chain on each channel requires 120 Ohm line termination.

Network Device Power

Each output channel provides 12VDC output to power network devices. Each output has a resettable 200ma fuse. Caution: there is a maximum of 1000ma total for all channels.



Power: 12VDC, 1A. Transformer included.

Size: 6" x 4" x 1.5"

Order Information:

Model	Description	Part Number
8AH485D	8 Channel RS485 Hub with RS232/485 Input	001-00635