



**SECURITRON SPECIFICATION  
CWB BRACKET (CONCRETE  
WOOD BRACKET)**

**PRODUCT DATA SHEET**

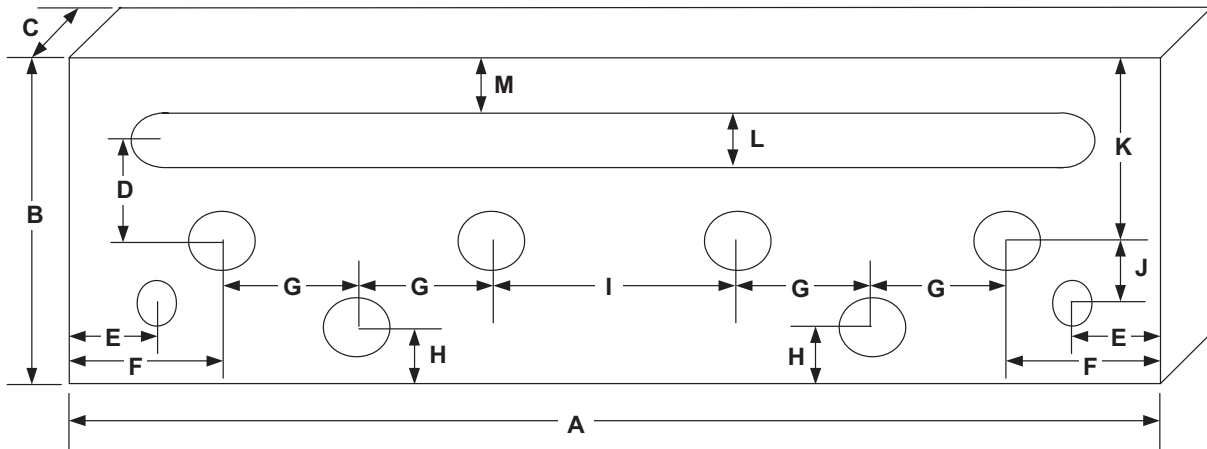
**PRODUCT NAME** CWB-32, CWB-62, CWB-82 Brackets

<b>System Description Basic use Limitations</b>	The Securitron Magnalock Corporation CWB Brackets are used on concrete filled or wood door frames. On concrete frames, the bracket anchors to the frame via sheet metal screws and the magnet mounts to the bracket via machine screws. The bracket includes a central splice area and avoids the problem of having to drill a wireway through the concrete. On wood frames, 4" wood screws are employed to penetrate deeply into the header. Separate part numbers are used for the M32, M62 and M82 series Magnalock brackets. The CWB Brackets come in two finishes.
<b>References</b>	ISO 9001
<b>Warranty</b>	<p>SECURITRON MAGNALOCK CORPORATION warrants that it will replace at customer's request, at any time for any reason, products manufactured and branded by SECURITRON.</p> <p>SECURITRON will use its best efforts to ship a replacement product by next day air freight at no cost to the customer within 24 hours of SECURITRON's receipt of the product from customer. If the customer has an account with SECURITRON or a valid credit card, the customer may order an advance replacement product, whereby SECURITRON will charge the customer's account for the price of the product plus next day air freight, and will credit back to the customer the full amount of the charge, including outbound freight, upon SECURITRON's receipt of the original product from the customer.</p> <p>SECURITRON's sole and exclusive liability, and customer's sole remedy, is limited to the replacement of the SECURITRON product when delivered to SECURITRON's facility (freight and insurance charges prepaid by customer). The replacement, at SECURITRON's sole option, may be the identical item or a newer unit which serves as a functional replacement. In the event that the product type has become obsolete in SECURITRON's product line, this MAGNACARE warranty will not apply. This MAGNACARE warranty also does not apply to custom, built to order, or non-catalog items, items made by</p>

SECURITRON MAGNALOCK CORP., 550 Vista Blvd., Sparks NV 89434 USA  
 Tel: (775) 355-5625 • (800) MAGLOCK • Fax: Mkt. (775) 355-5636, Fax: Admin. (775) 355-5633  
 Website: [www.securitron.com](http://www.securitron.com) • E-mail: [info@securitron.com](mailto:info@securitron.com)

<b>Warranty Continued</b>	<p>others (such as batteries), returns for payment, distributor stock reductions, returns seeking replacement with anything other than the identical product, or products installed outside of the United States or Canada. This MAGNACARE warranty also does not apply to removal or installation costs.</p> <p>SECURITRON will not be liable to the purchaser, the customer or anyone else for incidental or consequential damages arising from any defect in, or malfunction of, its products. SECURITRON does not assume any responsibility for damage or injury to person or property due to improper care, storage, handling, abuse, misuse, or an act of God.</p> <p>EXCEPT AS STATED ABOVE, SECURITRON MAKES NO WARRANTIES, EITHER EXPRESS OR IMPLIED, AS TO ANY MATTER WHATSOEVER, INCLUDING WITHOUT LIMITATION THE CONDITION OF ITS PRODUCTS, THEIR MERCHANTABILITY OR FITNESS FOR ANY PARTICULAR PURPOSE.</p>
<b>Other Information</b>	Aluminum Bracket with steel screws
<b>Accessories</b>	
<b>Finishes</b>	<p>The bracket is available in two finishes. The part numbers are:</p> <ul style="list-style-type: none"> <li>• <b>CWB-32/62/82CL</b> (Clear anodized aluminum)</li> <li>• <b>CWB-32/62/82BK</b> (Black anodized aluminum)</li> </ul>
<b>Installation</b>	<p>Please refer to instruction manual (Securitron part number: 500-10420) Instruction manual can also be found on our website: <a href="http://www.securitron.com">www.securitron.com</a></p>

SECURITRON MAGNALOCK CORP., 550 Vista Blvd., Sparks NV 89434 USA  
 Tel: (775) 355-5625 • (800) MAGLOCK • Fax: Mkt. (775) 355-5636, Fax: Admin. (775) 355-5633  
 Website: [www.securitron.com](http://www.securitron.com) • E-mail: [info@securitron.com](mailto:info@securitron.com)

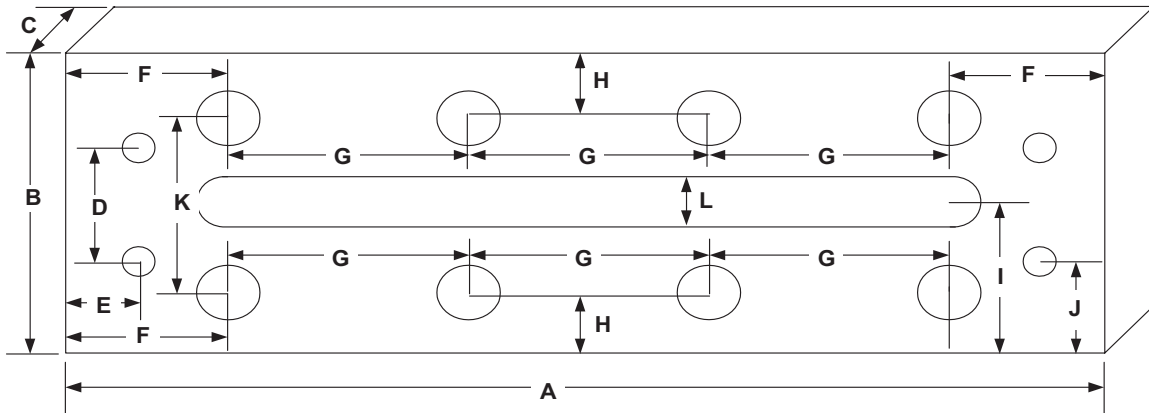


MODEL CWB-32	A	B	C	D	E	F	G	H	I	J	K	L	M
	8	1.5	0.50	0.45	0.40	0.90	1.15	0.30	1.60	0.15	0.75	0.31	0.145

**CWB-32 (Concrete Wood Bracket for M32 Magnalock)**

The CWB-32 (Concrete Wood Bracket) shall be produced by an ISO 9001 certified manufacturer. The CWB-32 bracket shall be used on concrete filled or wood door frames with the M32 Magnalock. On concrete frames, the bracket shall anchor to the frame via sheet metal screws and the magnetic lock shall mount to the bracket with machine screws. The bracket shall include a central splice area and shall avoid the problem of drilling a wireway through the concrete. On wood frames, 4 inch wood screws shall be employed to penetrate deeply into the header. The bracket shall come in two finishes: Clear Anodized Aluminum and Black Anodized Aluminum.

Securitron model CWB-32 Concrete Wood Bracket.

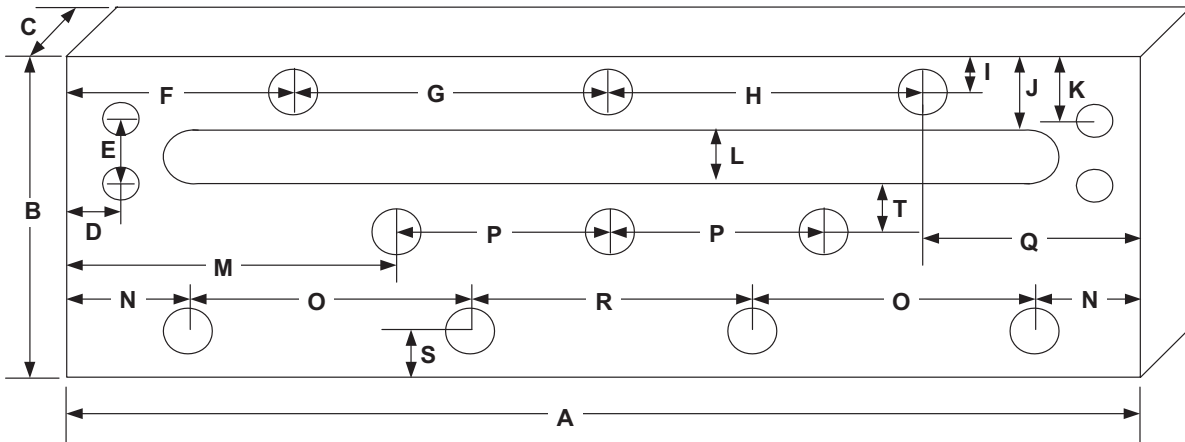


MODEL	A	B	C	D	E	F	G	H	I	J	K
CWB-62	8	1.75	0.50	0.75	0.40	1	2	0.30	0.875	0.50	1.15

### ***CWB-62 (Concrete Wood Bracket for M62 Magnalock)***

The CWB-62 (Concrete Wood Bracket) shall be produced by an ISO 9001 certified manufacturer. The CWB-62 bracket shall be used on concrete filled or wood door frames with the M62 Magnalock. On concrete frames, the bracket shall anchor to the frame via sheet metal screws and the magnetic lock shall mount to the bracket with machine screws. The bracket shall include a central splice area and shall avoid the problem of drilling a wireway through the concrete. On wood frames, 4 inch wood screws shall be employed to penetrate deeply into the header. The bracket shall come in two finishes: Clear Anodized Aluminum and Black Anodized Aluminum.

Securitron model CWB-62 Concrete Wood Bracket.



MODEL CWB-82	A	B	C	D	E	F	G	H	I	J
	12	2.50	0.50	0.40	0.75	1.55	4.45	4.5	0.30	0.56
	K	L	M	N	O	P	Q	R	S	T
	0.50	0.50	3.2	1	3.4	2.8	1.5	3.2	0.40	0.28

**CWB-82 (Concrete Wood Bracket for M82 Magnalock)**

The CWB-82 (Concrete Wood Bracket) shall be produced by an ISO 9001 certified manufacturer. The CWB-82 bracket shall be used on concrete filled or wood door frames with the M82 Magnalock. On concrete frames, the bracket shall anchor to the frame via sheet metal screws and the magnetic lock shall mount to the bracket with machine screws. The bracket shall include a central splice area and shall avoid the problem of drilling a wireway through the concrete. On wood frames, 4 inch wood screws shall be employed to penetrate deeply into the header. The bracket shall come in two finishes: Clear Anodized Aluminum and Black Anodized Aluminum.

Securitron model CWB-82 Concrete Wood Bracket.

Rev 12-14-01

SECURITRON MAGNALOCK CORP., 550 Vista Blvd., Sparks NV 89434 USA  
 Tel: (775) 355-5625 • (800) MAGLOCK • Fax: Mkt. (775) 355-5636, Fax: Admin. (775) 355-5633  
 Website: www.securitron.com • E-mail: info@securitron.com