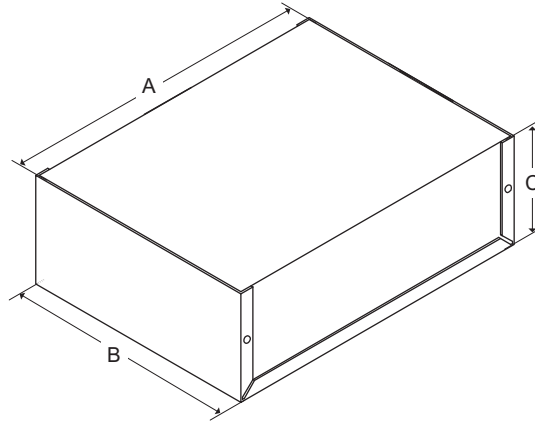


MODEL DK-16 KEYPAD	A	B	C	D	DEPTH
	4.5	2.75	.625	1.375	3

NOTE: FASTENERS NOT SHOWN ALL DIMENSIONS IN INCHES.



MODEL DK-16 CBO	A	B	C
	8.25	6	3

NOTE: ALL DIMENSIONS IN INCHES.

## Digital Entry System – DK-16

### Features

- Designed for high volume indoor use in controlling entry through electrically locked doors
- Lifetime replacement warranty
- Telephone style keypad with green, yellow, and red LEDs mounted on face
- The digital keypad system circuit board is a remote unit to allow for increased security
- Unit operates on 12 or 24 volts AC or DC
- The digital keypad system circuit board is mounted in a metal enclosure and provides for multiple users
- DPDT relay output for lock control and alarm shunt, camera call up or other device interface as well as a REX input
- Power consumption at rest, 7mA @ 12VDC – 20mA @ 24VDC, power consumption maximum is 160mA @ 12VDC – 190mA @ 24VDC

### Options

- Expansion Circuit Board
- Wiegand output



## Digital Entry System – DK-16 (cont'd)

### Operating Temperature

**(CPU) 0 to 70C [32 to 158F] Keypad 0 to 43C [32 to 110F]**

### How to Order

<u>Part Number</u>	<u>Product Description</u>
DK-16	Digital Keypad System Model 16, Single Gang
DK-16P	Digital Keypad Model 16, Single Gang
DK-16XB	Digital Keypad System Model 16 Expansion Circuit Board, Single Gang
DK-XB	Digital Keypad System Model 16/26, Expansion Circuit Board Upg. Kit
DK-16W	Digital Keypad System Model 16, Wiegand Output, Single Gang

## ARCHITECTURAL SPECIFICATION – Digital Entry System Model DK-16

### 2.x Digital Keypad System – Model DK-16

- A. The digital keypad shall be produced by an ISO 9001 certified manufacturer.
- B. The digital keypad shall have a lifetime advance replacement warranty.
- C. The Digital Keypad shall be of a telephone type with engraved and paint filled numbers in plastic keys suitable for mounting in a single gang box.
- D. The Digital Keypad shall have a red, a green, and a yellow LED mounted on the face.
- E. The digital keypad system circuit board shall be a remote unit to allow for increased security and shall operate on 12 or 24 volts AC or DC.
- F. The digital keypad system circuit board shall be mounted in a metal enclosure and provide for multiple users.
- G. The digital keypad shall have a DP/DT relay output for lock control and alarm shunt, camera call up or other device interface as well as a REX input.
- H. Power consumption at rest shall not exceed 7mA @ 12VDC – 20mA @ 24VDC.
- I. Power consumption maximum shall not exceed 160mA @ 12VDC and 190mA @ 24VDC.
- J. The manufacturer shall provide a minimum of sixteen feet of cable to interface the Digital Keypad with its circuit board, and the system shall have user/installer programmable options such as anti - tailgate, anti - door prop, and duress code alarm.

### 2.x Digital Keypad System – Model DK-16W

- K. The Digital Keypad System circuit board shall interface with a PC based access system via weigand data protocol.