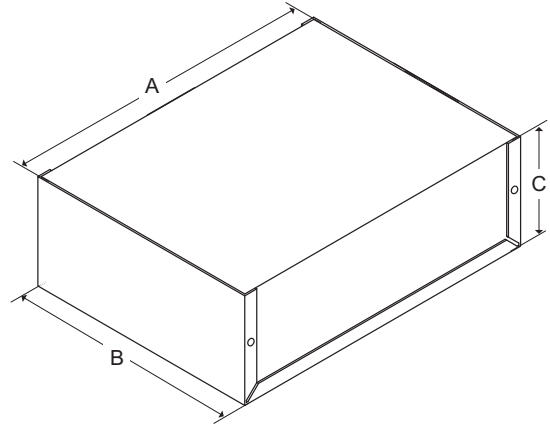


| MODEL           | A    | B     | C    |
|-----------------|------|-------|------|
| DK-26<br>KEYPAD | 6.75 | 1.375 | .875 |

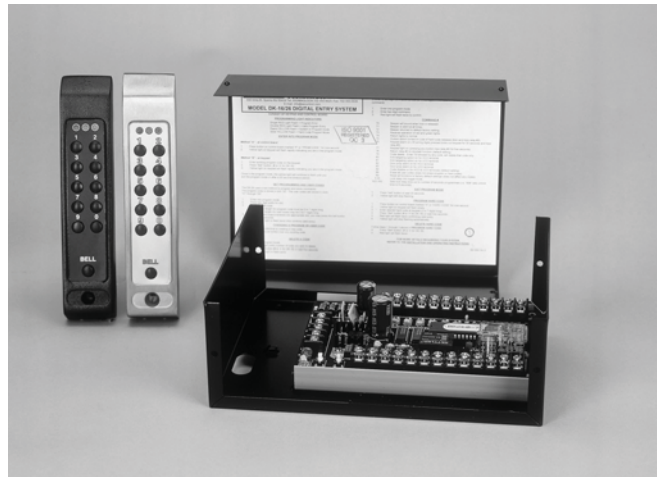


| MODEL        | A    | B | C |
|--------------|------|---|---|
| DK-26<br>CBO | 8.25 | 6 | 3 |

## Digital Entry System – DK-26

### Features

- Designed for high volume use in controlling entry through electrically locked doors
- Lifetime replacement warranty
- Fully weather proof and water proof
- Constructed of investment cast stainless steel with individual EPDM rubber buttons
- The digital keypad system circuit board is a remote unit to allow for increased security
- Unit operates on 12 or 24 volts AC or DC
- The digital keypad system circuit board is mounted in a metal enclosure and provides for multiple users.
- DP/DT relay output for lock control and alarm shunt, camera call up or other device interface as well as a REX input
- Power consumption at rest, 7mA @ 12VDC – 20mA @ 24VDC, power consumption maximum is 160mA @ 12VDC – 190mA @ 24VDC



### Options

- Cover plate
- Spy Shield
- Expansion Circuit Board
- Wiegand output

**ASSA ABLOY****Digital Entry System – DK-26 (cont'd)****Operating Temperature****(CPU) 0 to 70C [32 to 158F] Keypad -30 to 70C [-22 to 158F]****How to Order**

| <u>Part Number</u> | <u>Product Description</u>   |
|--------------------|--|
| DK-26SS            | Digital Keypad System Model 26, Stainless Steel                        |
| DK-26BK            | Digital Keypad System Model 26, Black                                  |
| DK-26PSS           | Digital Keypad Model 26, Stainless Steel                               |
| DK-26PBK           | Digital Keypad Model 26, Black   |
| DK-CPSS            | Cover Plate for DK-26  |
| DK-SBK             | Spy Shield for DK-26 Black   |
| DK-SSS             | Spy Shield for DK-26 Stainless   |
| DK-26SSXB          | Digital Keypad System Model 26, Expansion Circuit Board<br>Stainless   |
| DK-XB              | Digital Keypad System Model 16/26, Expansion Circuit Board<br>Upg. Kit |
| DK-26WSS           | Digital Keypad System Model 26, Wiegand Output Stainless               |
| DK-26WBK           | Digital Keypad System Model 26, Wiegand Output Black                   |

**ARCHITECTURAL SPECIFICATION – Digital Entry System  
Model DK-26****2.x Digital Keypad System – Model 26**

- A. The digital keypad shall be produced by an ISO 9001 certified manufacturer.
- B. The digital keypad shall have a lifetime replacement warranty.
- C. The digital keypad shall be weather proof, vandal resistant, and suitable for mounting on a narrow mullion.
- D. The digital keypad housing shall be constructed of investment cast stainless steel with individual EPDM rubber buttons.
- E. The digital keypad system circuit board shall be a remote unit to allow for increased security and shall operate on 12 or 24 volts AC or DC.
- F. The digital keypad system circuit board shall be mounted in a metal enclosure and provide for multiple users.
- G. The digital keypad shall have a DP/DT relay output for lock control and alarm shunt, camera call up or other device interface as well as a REX input.
- H. Power consumption at rest shall not exceed 7mA @ 12VDC – 20mA @ 24VDC.
- I. Power consumption maximum shall not exceed 160mA @ 12VDC and 190mA @ 24 VDC.

**2.x Digital Keypad System – Model 26W**

- J. The digital keypad system circuit board shall interface with a PC based access system via Weigand output protocol..