

# Lamp (dimmer) Modules

Remotely Controlled Plug-In Modules  
for Incandescent or Fluorescent Lighting

## Advantages

- Simple plug-in installation
- No new wires
  - ▶ Receives UPB lighting scene commands over existing AC power lines
  - ▶ Controlled by UPB switches, multi-button controllers and PC / security / home automation controllers
- UPB technology delivers...
  - ▶ Exceptional reliability and noise immunity
  - ▶ Lowest installed cost compared to hardwired and RF solutions
  - ▶ No interference between adjacent homes
- Easily configured or reconfigured with [UPStart](#) (PC) software
  - ▶ makes moving and changing the module easy

## Features

- Manual Scene-Link changes with Rocker/Buttons
  - ▶ Add or delete devices from scene with 7 or 8 taps
  - ▶ Adjust linked devices' light level and save with 7 tap
- Heavy duty / timer model: UML-20-W
  - ▶ 400W, on/off/dimming and 'auto-off' timer function
  - ▶ 3 conductor connection includes safety ground
  - ▶ Controlled outlet and always on convenience outlet
  - ▶ Switch sense trigger, turns on UML when lamps' switch is turned on twice
- Standard model: UML-E-W
  - ▶ 300W, on/off/dimming
  - ▶ 2 conductor controlled outlet connection
  - ▶ Switch sense trigger, turns on module when lamps' switch is turned on twice



The UML series are plug-in modules designed to control 120VAC incandescent lamps based on lighting scene-link commands received over the power line. The lighting scene commands are communicated using the highly-reliable Universal Powerline Bus (UPB) technology. UPB devices such as switches, multi-button controllers and schedulers are easily integrated in to a new home or can replace switches and timers in an existing home. UPB technology requires no new or special wiring. The powerline network is created and devices are added and configured with [UPStart](#) (PC based) software. The solutions provide a flexible, low-costs alternative to hardwired or RF home lighting and automation strategies.

UML modules deliver on/off and dimming control for lamps (see model UMA, relay modules for fluorescent lights, fan/pump motor control). Installation is simple: the module is plugged into a standard 120 VAC outlet and the lamp to be controlled is plugged into the bottom of the module. The model UML-20 includes a powerful timer option, where scene- links can individually activate any of the timer presets (1, 5, and 30 seconds, 1, 2, 4, 10, 20, 30, 40, and 50 minutes, 1, 2, 3 and 4 hours). The connected lamp can be manually controlled by a UPB switch or multi-button controller, or automatically with a scheduler (model UCS-01), I/O module (model UMI) or with any PC / security / home automation controller that provides a UPB serial driver software option (see [www.Simple-Automated.com/products/faqs](http://www.Simple-Automated.com/products/faqs) for a current listing).

Manual scene-link modification capabilities are unique to Simply Automated devices. Without using UPStart, a user can easily change existing scenes, adding or removing devices and adjusting light levels, by pressing rocker/buttons in a specific sequence (see User Guide for details).

Simply Automated, Incorporated

6108 Avenida Encinas, Suite B, Carlsbad, CA 92011  
Sales 800-630-9234 • Office 760-431-2100 • Fax 760-431-2101  
[sales@simply-automated.com](mailto:sales@simply-automated.com) [www.Simple-Automated.com](http://www.Simple-Automated.com)



**Home Automation Made Simple.**

## Applications

Lamp modules provide a convenient solution to add controlled and timed-off lighting in a room and home. They can be moved from one outlet to another meeting present and future décor and lighting needs. If mobility of the module is not needed, consider using the fixture dimmer module (Model UFD). The most common use of the lamp module is to add one or more lamps in a room, controlled by a UPB switch, security system, multi-button controller, or table-top pedestal (see module US28xTP). If the lamp module should be activated every time the lights in the room are activated the single rocker US11-40-W could be used as an easy and economical solution. The single rocker can control the local load connected to the switch (e.g. ceiling light) as well as the lamp module (e.g.

nightstand lamps). If more flexibility is preferred, the multi-button/rocker (model US2) can be used to control the ceiling light (e.g. local load) as well as the lamp module by using different lighting scene-links for each button or rocker - including various timer presets. The scenes are typically configured to provide the desired lighting for the room's use. Examples include: bright lights (100%) for reading, ceiling light off and lamps dimmed at 50% for watching TV, all lights at 85% for entertaining, all lights at 15% for night lighting. Lamp modules are also very useful when integrated with a security system. An I/O (model UMI) can accept low-voltage or contact closure trigger inputs from the alarm system and send scene-links to turn on or off lamp modules in the event of an alarm or arm/disarm.

## UML-20-W (heavy duty)

### Specifications

Power: 120VAC +/- 10%, 60Hz

Controlled Outlet:  
 Max Load: 400W at 120VAC (3.3A)  
 Min Load: 60W  
 Output Type: Triac, 25A with timer

Operating Temperature: 30-120°F (0-50°C)

Physical:  
 Dimensions: 3.4"H x 2.6"W x 1.5"D (86 x 65 x 38mm)  
 Weight: 5.6 oz (160g)  
 Mounting: Plug-in

## UML-E-W (standard)

### Specifications

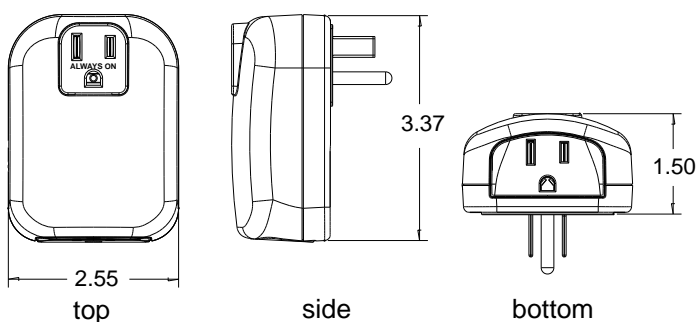
Power: 120VAC +/- 10%, 60Hz

Controlled Outlet:  
 Max Load: 300W at 120VAC (2.5A)  
 Min Load: 60W  
 Output Type: Triac, 25A

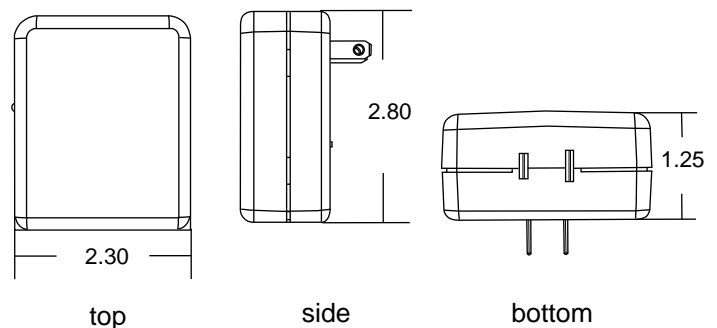
Operating Temperature: 30-120°F (0-50°C)

Physical:  
 Dimensions: 2.8"H x 2.3"W x 1.25"D (71 x 59 x 30mm)  
 Weight: 5.6 oz (160g)  
 Mounting: Plug-in

### Dimensions (Inches)



### Dimensions (Inches)



## Simply Automated, Incorporated

6108 Avenida Encinas, Suite B, Carlsbad, CA 92011 USA  
 800-630-9234 • Office 760-431-2100 • Fax 760-431-2101  
[sales@simply-automated.com](mailto:sales@simply-automated.com) [www.Simply-Automated.com](http://www.Simply-Automated.com)



Home Automation Made Simple.