

Dual Dimming-Controller

Dual (550W x 2) Load Switch Base
with Universal Faceplate Options

Advantages

- No new wires
 - ▶ Communicates over existing power lines
 - ▶ Transmits and receives UPB lighting scenes
- UPB technology delivers...
 - ▶ Exceptional reliability and noise immunity
 - ▶ Lowest installed cost compared to hardwired and RF solutions
 - ▶ No interference between adjacent homes
- Easily configured or reconfigured with [UPStart](#) (PC) software
 - ▶ makes changing lighting scenes and control quick and easy

Features

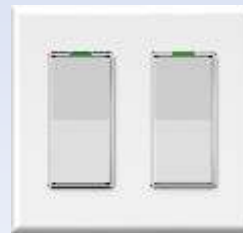
- Dual 550 Watt Load Controls
 - ▶ Two independent 550W outputs
- Interchangeable 'Universal' faceplate assemblies
 - ▶ 78 faceplate options, 13 styles x 6 standard colors
 - ▶ Change color and functionality in the field
 - ▶ Higher flexibility / lower inventory costs
- Intuitive rocker/button action
 - ▶ Both ON/OFF and dimming capabilities
 - ▶ 200 dimming steps and Resume Dim
 - ▶ Adjustable (faster) response time and fade rate
- Timer Function
 - ▶ Automatically turns off load(s)
 - ▶ 15 presets, locally or scene-link controlled
- Manual Scene-Link Modification with Rocker/Buttons
 - ▶ Add or delete devices from scene with 7 or 8 taps
 - ▶ Adjust linked devices' light level and save with 7 taps
- Thermal overload protection
- Aesthetically pleasing Blue/Green Dual LED indicator
- Dedicated Remote Switch (Model USR) connections
 - ▶ Provides inexpensive 3 or more-way control option
- Standard Faceplate Colors: White (W), Almond (A), Light Almond (LA), Ivory (I), Black (BK), Brown (BN)

Simply Automated, Incorporated

6108 Avenida Encinas, Suite B, Carlsbad, CA 92011 USA
800-630-9234 • Office 760-431-2100 • Fax 760-431-2101
sales@simply-automated.com www.Simply-Automated.com

Make the Switch

...from this



...to this



...or even this



Less wall-switch clutter
More convenient controls

Control two 550W loads in one switch (J-box) position with the 'Dual' Universal Dimmer-Controller. 13 universal faceplate options, available in 6 standard colors, meet your lighting décor needs.

[SimplyBrilliant®](#) Model US22 is a UPB Universal Dimming Transceiver Switch Base with dual 550W load controls, timers and adjustable response time. There are 13 faceplate options available in 6 standard colors to match virtually any décor or lighting design. Faceplates are easily changed in the home, and configured with the help of UPStart (PC) software. The US22 provides ultra-reliable control and energy saving timed-off control of new and existing lighting fixtures, lamps, fans and other electrical devices. Each unit has two dimmers that control two separate 550W loads. It can also transmit and receive lighting scene commands with other Universal Powerline Bus (UPB) switches, plug-in modules, fixture modules as well as any PC / security / home automation controller that provides a UPB serial driver option (see www.SimplyAutomated.com/products/faqs.htm for a current listing) – to control virtually anything that connects to AC power anywhere in the home.

Manual scene-link modification capabilities are unique to Simply Automated devices. A user can easily change existing scenes, adding or removing devices and adjusting light levels, by pressing rocker/buttons in a specific sequence (see User Guide for details) without using UPStart.



Home Automation Made Simple.

Applications

The model US22 is the ideal solution to reduce the number of switches and j-boxes in the home. The dual load output works well in paddle fan and bathroom light and fan applications. The response time function is adjustable down to 300mSec so lights come on quickly. The energy saving timer function automatically turns off the switch load after a pre-set period of 1, 5 or 30 seconds, 1, 2, 4, 10, 20, 30, 40, or 50 minutes, 1, 2, 3, or 4 hours. The timer can be disabled so the US22 functions like a standard dimmer (no timer function) or enabled to activate with a rocker push. In addition, another button or rocker on the US22 (or another UPB switch) can command any of the timer functions of the US22, via a lighting scene-link command, to enable any selection of timed off options (e.g. buttons for 1 minute, 4 minutes, 10 minutes, 1 hour).

Specifications

Power: 120VAC +/- 10%, 60Hz
 Max Load: 2 x 550W at 120VAC (10A)

Connections: 6" stranded pigtails, #16 AWG for power/load, #20 AWG remote traveler wires

Operating Temperature: 30 to 120°F (0 to 50°C)

Dimensions: 4.2"H x 1.7"W x 1.6"D (107 x 43 x 41mm)
 depth inside the J-box = 1.35" (34mm)"

Weight: 4.9 oz (139g)

Wiring: Black AC Line
 White AC Neutral
 Brown Load 1
 Red Load 2
 White/Brown Traveler 1
 White/Red Traveler 2

Prices and specifications are subject to change without notice.

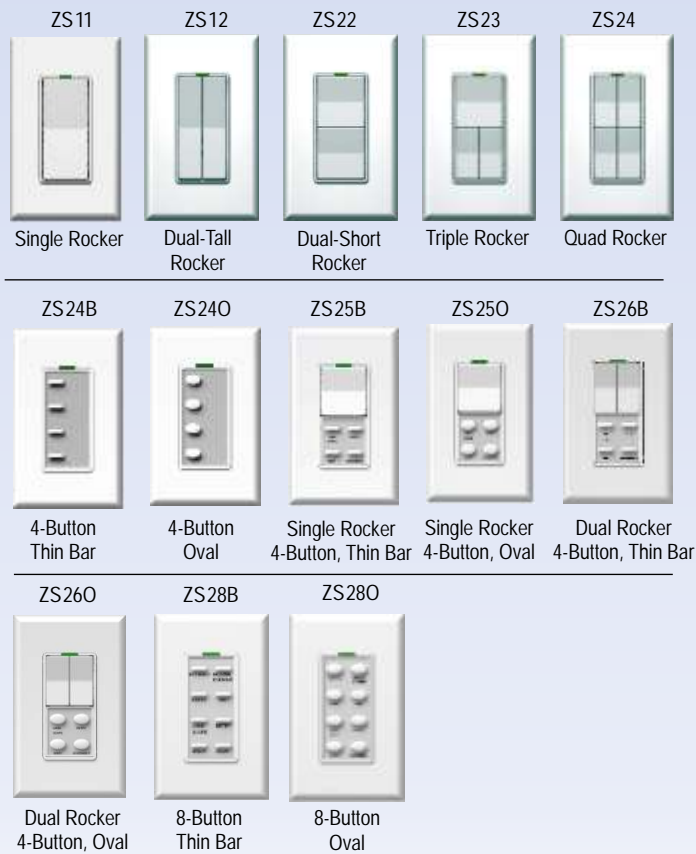
*Ganging and Derating

		# of Dimmers in J-box		
		1	2	3+
# of J-box Gangs	1	800W	--	--
	2	900W	500W	--
	3+	1100W	700W	350W

*Total watts - both channels; not to exceed 550W per channel for any ganging.

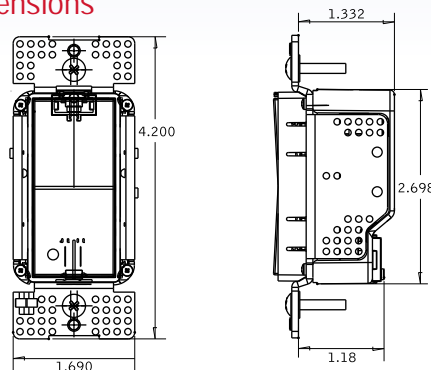
Universal Faceplate Options*

Standard (Gloss Finish) Colors : White (W), Almond (A), Light Almond (LA), Ivory (I), Black (BK), Brown (BR)



*Specify model US22-40; Universal Dimmer-Controller, Dual Load, Switch Base; and ZSxxx-xx Series faceplate option (E.g. ZS26B-LA)

Dimensions



Simply Automated, Incorporated
 6108 Avenida Encinas, Suite B, Carlsbad, CA 92011 USA
 800-630-9234 • Office 760-431-2100 • Fax 760-431-2101
sales@simply-automated.com www.Simply-Automated.com

Home Automation Made Simple.