

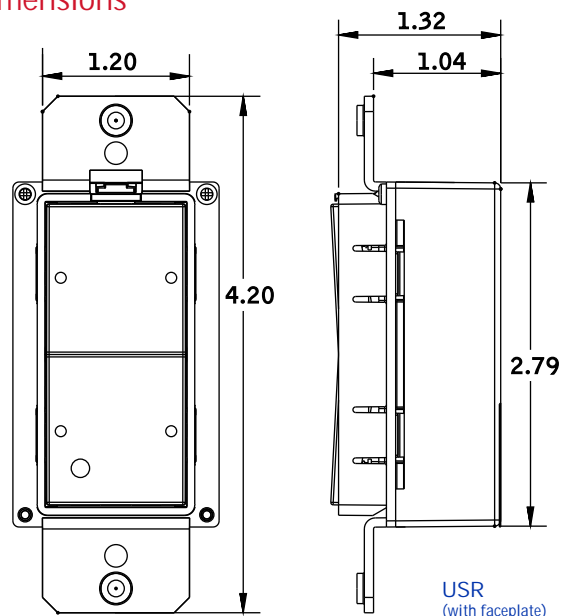
SimplyBrilliant® Universal Dedicated Remote

Switch works with Standard and Universal

Transceiver Switches to provide ultra-reliable 3 or more way control of new and existing lighting fixtures, lamps, and other electrical devices connected to Universal Powerline Bus (UPB) plug-in modules, or fixture modules anywhere in the home.



Dimensions



Features

- Interchangeable rocker assemblies
 - ▶ Change color and functionality in the field
 - ▶ Reduce inventory costs
- True rocker action
 - ▶ Both ON/OFF and dimming capabilities
- Thinner depth profile allows easy installation
- Provides inexpensive 3 or more-way control
- Colors: White, Almond, Light Almond, Ivory, Black, Brown

Ordering Information:

USR1-40-W Remote Switch with Single White Rocker
 USR-40 Remote Switch Base (requires faceplate)

Rocker Faceplates:

Standard Colors (Gloss Finish): White (W), Almond (A), Light Almond (LA), Ivory (I), Brown (BN), Black (BK)

A ZS11 Single
 B ZS12 Dual

Color-matched to Leviton® Decora® faceplates.

SimplyBrilliant® brand Dedicated Remote switches must be used with SimplyBrilliant® dimming transceiver switches.



Specifications

Power: 120VAC +/- 10%, 60Hz
 Input Current: 1.5mA

Connections: 6" stranded pigtails, #16 AWG for power, #20 AWG for travelers

Wiring:	Black	AC Line for LED
	White	AC Neutral
	Brn / Wht	Traveler 1
	Red / Wht	Traveler 2

Operating Temperature: 30-120°F (0-50°C)

Physical:

Dimensions: 4.2"H x 1.7" W x 1.3"D (107 x 43 x 34mm)
 depth inside J-box = 1.04"

Weight: 1.4 oz (40g)

Mounting: standard J-box

Prices and specifications are subject to change without notice.



Simply Automated, Incorporated
 6108 Avenida Encinas, Suite B, Carlsbad, CA 92011 USA
 800-630-9234 • Office 760-431-2100 Fax 760-431-2101
sales@simply-automated.com Simply-Automated.com

Home Automation Made Simple.