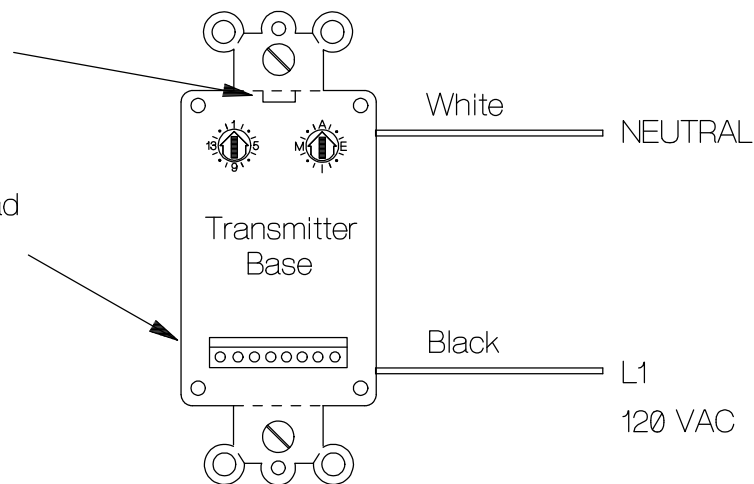


See Keypad installation instructions for proper checkout procedures when using the Transmitter Bases.

To set address codes: insert small screwdriver into slot on address code dials and turn until arrow points to desired letter and number code.

Carefully slip the Keypad under notch in metal plate.

Line up pins of Keypad with socket and push Keypad firmly in place.



### BEFORE YOU BEGIN...

#### READ ALL INSTRUCTIONS

Make sure your installation will conform to all applicable codes and requirements.

#### TEST FOR SIGNAL STRENGTH AND NOISE...

using the AR300 and AT300. It is necessary to test the installation in the actual operating environment. The amount and types of line loads may reduce the strength of the transmitted signal and/or electrical noise may cause interference with the transmitted signal. Proper installation may require additional couplers, filters or repeaters. Special coupling devices are required to allow signal to be distributed to all phases and zero-crossings in multi-phase and multi-transformer distributions.

#### IF YOU HAVE ANY QUESTIONS...

Consult your nearest Engineered System Center (ESC) for additional information.

There are no field repairable assemblies on this unit. It is covered by a two year limited warranty. If service is needed, the unit must be returned to the ESC where purchased. Contact your ESC for return details.

## INSTALLATION

**CAUTION!** Make all connections with the **POWER OFF** to avoid injury to the installer or damage to the device.

**NOTE!** This transmitter is not intended as an exact replacement for standard wall switches. The white lead **MUST** be connected to a Neutral (not a white lead used as a line voltage “feeder” to a load).

1. Strip 3/4" of insulation from the ends of the conductors and make connections as shown in the Wiring Diagram.
2. Check connections to be sure they are tight and no bare conductors are exposed.
3. Make sure the load or installation does not exceed the device rating.
4. Set the address:

Up to 256 addresses can be selected from the module. The address consists of a Letter Code (A through P) and a Number Code (1 through 16) for Unit address. Set the address code dials as shown in the Wiring Diagram.

5. Install the appropriate TK Series Keypad as shown in the wiring diagram.
6. Install into a standard single or multi-gang electrical wall box. Use a deep box to avoid interference with box fittings and allow room for wiring connections.

Mount the device in the wallbox and install the cover plate/trim ring (Decora™ or compatible style available through electrical supply vendors).

## CHECKOUT

1. Restore the power.
2. Test Transmitter Operation (With appropriate TK series keypad):  
Transmit “OFF”, “ON”, “ALL UNITS OFF”, “ALL LIGHTS ON”, “DIM” and “BRIGHT” commands (as appropriate for the Keypad used) to ensure the device turns the controlled load on and off in response to remote control.
3. Test for Signal Strength and Noise once again using the AR300 and AT300.

### RATING:

No Load  
120 VAC (+/-10%) 60 Hz

### DIMENSIONS:

A: 2.75 in. (70mm)  
B: 4.1 in. (104mm)  
C: 0.95 in. (23.5mm)  
D: 1.75 in. (44.5mm)  
E: 1.4 in. (35.5mm)

